



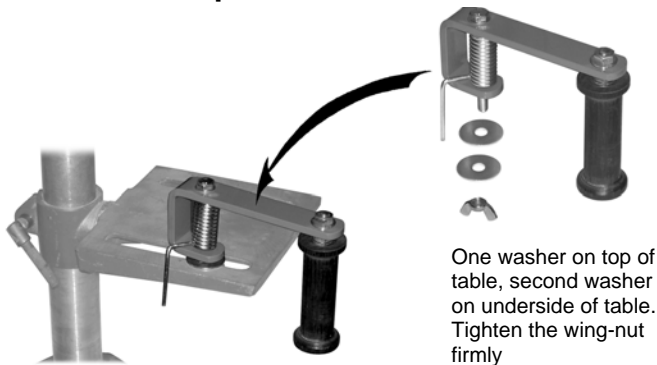
A SANDING ATTACHMENT FOR YOUR PEDESTAL DRILL

[www.the2terrys.com](http://www.the2terrys.com)

Designed and Made  
in Australia

Users of this attachment do so at their own risk. The manufacturers and suppliers will not take responsibility for personal injury or property damage resulting from inappropriate use, or incorrect use of this attachment. Tampering with this attachment, or modifying this attachment voids all claims on the supplier and manufacturer. The manufacturers and suppliers will not take responsibility for any adverse effect on any equipment this device is attached to.

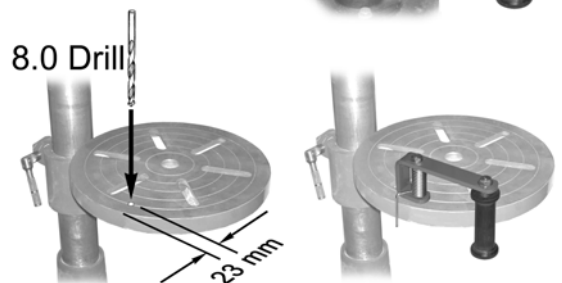
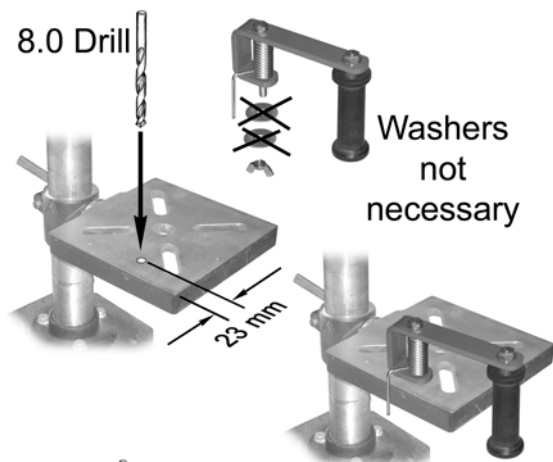
## 1. Attaching the WASP SANDER® to your pedestal drill



One washer on top of table, second washer on underside of table. Tighten the wing-nut firmly

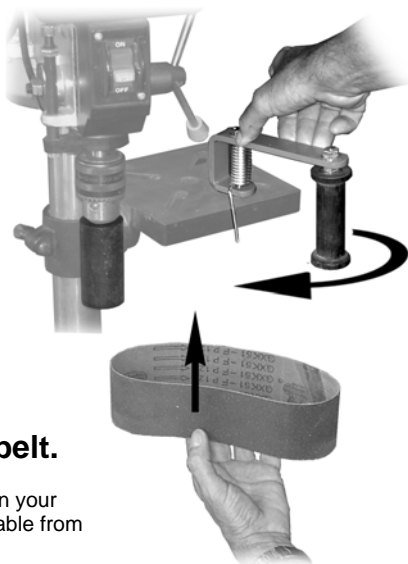
On some drills you can attach the WASP SANDER® through a slot in your drill table. NOTE: the tail of the spring must be on outside edge of table.

## 2. Some drill tables require a hole to be drilled through the table so the wing-nut is free to rotate. This is a preferred method because the WASP SANDER® is easier & quicker to attach.



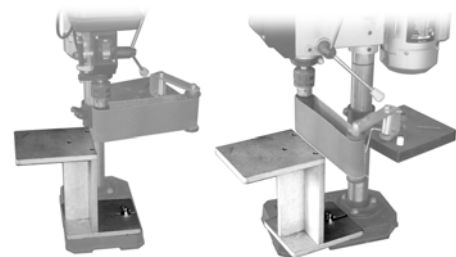
## 3. Loading the belt.

Belts size, 533 x 75 in your choice of grit is available from your hardware store.



**Belt Tension:** Rotate the drill table away from the drive drum until a suitable tension is achieved. **NOTE: insufficient belt tension will cause the belt to be unstable in its position on the drums during sanding.**

A design for an easy to make sanding platform for your WASP SANDER® is available from our website.



[www.the2terrys.com](http://www.the2terrys.com)  
- See other great innovative products -

### Warranty

This product is covered by warranty providing the nature of the claim is the result of faulty workmanship. Misuse or abuse voids all warranty. Warranty claims must be reported to the Selling Agent from whom it was originally purchased. The warranty is valid for a period of ninety days starting from the purchase date. The warranty will be void if any unauthorised persons tamper with the product or parts.